

Contrôle d'accès

Impianti di controllo accessi

Zutrittskontrollanlagen

Access control systems

Sistemas de control de accesos

ANYKEY



ABOUT US

effeff – A MEMBER OF ASSA ABLOY SICHERHEITSTECHNIK GMBH



2

Whatever you want to secure, protect, maintain - effeff has the technology you require.

Breaking new grounds, implementing new technologies, developing new ideas. Founded in 1936, the company effeff based in Albstadt became the market leader in the field of door control systems by following a consistent strategy.

After starting the electric strike production in 1947, a comprehensive product range has been gradually developed, which enables effeff to offer suitable solutions for every door.

February 1st, 2000, effeff joined the ASSA ALBOY Group based in Stockholm, Sweden and merged at the beginning of 2005 with IKON GmbH Präzisionstechnik, Berlin who also belong to the group to become ASSA ABLOY Sicherheitstechnik GmbH.



The Ritz-Carlton, Wolfsburg



Hamburg Airport



IKON and effeff, both renowned and well-established brands within the market remain under ASSA ABLOY Sicherheitstechnik GmbH as do the production sites of Berlin and Albstadt and the plant in Heiligenhaus. ASSA ABLOY is the leading manufacturer and supplier of mechanical and electromechanical locks and related products worldwide. Our customers benefit from the extensive know-how of the largest international group of companies, meeting every requirement in terms of total security and comfort throughout the world.

ASSA ABLOY



Munich Airport



Recreational spa, Hildesheim

TRIPLE SECURITY: ANYKEY

ANYKEY



TABLE OF CONTENTS

ANYKEY

ALL ABOUT US	2
TABLE OF CONTENTS	5
PERFORMANCE FEATURES	6
DETAILS	8
ANYKEY: DOOR CODE	10
ANYKEY: PROXIMITY READER	14
ANYKEY: BIOMETRICS	18
DECORATIVE COVERS	19
INGENIOUS	20
DIMENSIONS AND MOUNTING	21
ORDER FORM	22

PERFORMANCE FEATURES

ANYKEY



6

A fitting with ideal measurements:

- ▶ For wooden and metal doors
- ▶ Only 35 mm wide
- ▶ Backsets from 35 to 100 mm
- ▶ Suitable for all common square pin versions
- ▶ Doorleaf thickness 38 to 85 mm

The latest trend in security.

Security technology today comprises not just a wealth of innovative functions. Access control technology is no longer marketed merely on the basis of cutting edge technology. Compliance with important standards and test requirements guarantee added security in the event of danger while at the same time meeting the stringent requirements of insurance companies. Design and product flexibility enabling virtually any requirement to be met as a standard solution play an ever-increasing role. ANYKEY is unrivalled and innovative in every respect.

More than just standard.

ANYKEY is the standard record holder in terms of security fittings. It is the only access control worldwide that complies not only with intrusion protection device DIN EN 1906, protection class 2 and DIN 18257 but also DIN EN 179 for use in emergency exits and DIN 18273 for use on fire-rated doors. As far as certified security is concerned, ANYKEY is anything but standard.

Fire protection to order.

All ANYKEY fittings with an order number beginning with the numerical sequence "497...", comply with DIN 18273 and are thus suitable for fire barriers. The order numbers of versions that are not suitable for fire barriers begin with the numerical sequence "496...".

Slim and stylish.

Only 35 mm wide, the stylish stainless steel security fitting is currently one of the slimmest on the market. This attractive design gives it not only a unique appearance but renders it highly adaptable:

ANYKEY can be used in virtually all doors and fits all common square pin versions and backsets. The exclusive, timeless optics are complemented by the handle or thumbturn and stainless steel decorative cover.

PERFORMANCE FEATURES

State-of-the-art security technology.

The secret of ANYKEY is its ingenious technology providing increased security and intrusion protection combined with its ability to meet specific customer requirements. ANYKEY is available in different versions:

1. Access code
2. Proximity reader
3. Biometrics

All security-relevant elements are integrated in the internal fitting on the inside of the door leaf and are therefore tamper proof. Transmission of data from the outside to the inside is coded. The decision-making electronics are also integrated in the fitting inaccessible from the outside.

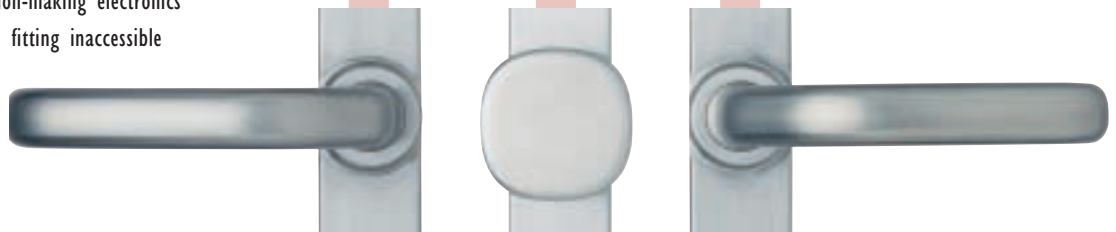
Combined security.

Access control versions



Access code Proximity reader Biometrics

Handles (stainless steel)



Version A Knob Version B

Cylinders



European profile cylinder with core extraction protector European profile cylinder Emergency power contact

Alternative opening possibilities.

ANYKEY can also be equipped (optional) with a locking cylinder with or without a core extraction protector (Protection Class 2 only for version with core extraction protector) or with an emergency power contact. This enables the fitting to be supplied with sufficient power via a conventional 9V block battery so that it can continue to function in the event of a current failure. The fitting then has alternative opening possibilities and can be integrated in an existing locking system or used with a master or fire brigade key.

OUTSTANDING TECHNICAL KNOW-HOW

DETAILS

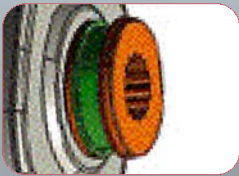
Solid stainless steel external cover plate (15mm)

Extra slim design (35 mm)

External fitting with Protection Class IP 54 suitable for external use

Access control module (code, proximity, biometrics)

Sturdy handle with needle bearings



Drilling protection with ball bearing (bolt)

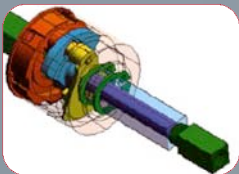


Protection against both handles



8

Free-wheeling external handle

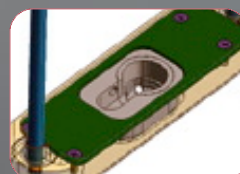


Emergency power contact instead of cylinder perforation

Optional European profile cylinder with core extraction protector



Hardened steel plate acting as tamper-proofing



overturning

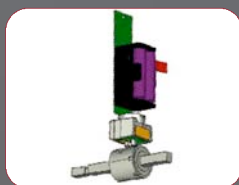
Optional decorative cover set

Stainless steel internal cover plate

LED on both sides

Ideal in combination with self-locking locks

All security-relevant components integrated within the fitting (coupling, decision-making electronics, 4 x AA batteries)



ACCESS CODE

ANYKEY



Play it safe.

The access code version of ANYKEY is the ideal solution for applications requiring increased security. Designed for three to eight digit codes thus enabling a maximum of 100 million potential codes. If the codes are changed regularly, successful manipulation is virtually impossible. An automatic security lock, optional use of a locking cylinder with core extraction protector or the emergency power contact together with the solid stainless steel decorative cover, make this version of ANYKEY an impregnable stronghold against intruders. ANYKEY is a true insiders' tip as far as security is concerned.

The unique security fitting – tested and approved

All versions of ANYKEY comply with the most important security standards. At the present time no other fitting on the market can compete with the ANYKEY security fitting with integrated access control that not only provides an effective safeguard against intrusion (DIN EN 1906, Protection Class 2 and DIN 18257) but is also suitable for fire and smoke protection (DIN 18273) and emergency exits (DIN EN 179). This means guaranteed more security for trade, security professionals and end users alike.



ANYKEY door code version

- ▶ Secure access control
- ▶ Between 1000 (3-digit) and 100 million (8-digit) codes
- ▶ Can be programmed directly at the fitting
- ▶ Stand-alone device
- ▶ Battery-operated (4 x Type AA)
- ▶ No additional cables
- ▶ Protection class IP 54: External cover plate suitable for external doors, Protection Class IP 30: Internal cover plate
- ▶ Code management via program code
- ▶ Up to 39 codes
- ▶ Deletion of all codes or individual deletion via codes or account
- ▶ Temporary or permanent release
- ▶ Individually programmable authorization for permanent release per code
- ▶ Dead bolt monitoring with LED
- ▶ Operating temperature range external cover plate -10 to +60 °C
internal cover plate 0 to +60 °C

Order numbers

- ▶ 49610... **without** fire protection certification
- ▶ 49710... **with** fire protection certification

A list of the most important parameters can be found on the following two pages. A list of all parameters can be found on Page 22.

ACCESS CODE

ANYKEY

Access code versions without fire protection (Type 49610)

External cover plate with thumbturn 0 6 Version A
 External cover plate with handle 1 7 Version B

Selection of most important combinations				
Handle – square pin	Door leaf thickness	Prepared for	Centre to Centre	Order No.
8 mm	38-43 mm	European profile cylinder	72 mm	4 9 6 1 0 8 0 1 0 1 * - B 8 *
8 mm	38-43 mm	European PC with core extraction protector	72 mm	4 9 6 1 0 8 0 2 0 1 * - B 8 *
8 mm	38-43 mm	Swiss profile cylinder	72 mm	4 9 6 1 0 8 0 3 0 1 * - B 8 *
8 mm	38-43 mm	Emergency power contact	72 mm	4 9 6 1 0 8 0 4 0 1 * - B 8 *
8 mm	38-43 mm	European profile cylinder	92 mm	4 9 6 1 0 8 0 1 1 1 * - B 8 *
8 mm	38-43 mm	European PC with core extraction protector	92 mm	4 9 6 1 0 8 0 2 1 1 * - B 8 *
8 mm	38-43 mm	Swiss profile cylinder	92 mm	4 9 6 1 0 8 0 3 1 1 * - B 8 *
8 mm	38-43 mm	Emergency power contact	92 mm	4 9 6 1 0 8 0 4 1 1 * - B 8 *
8 mm	44-49 mm	European profile cylinder	72 mm	4 9 6 1 0 8 1 1 0 1 * - B 8 *
8 mm	44-49 mm	European PC with core extraction protector	72 mm	4 9 6 1 0 8 1 2 0 1 * - B 8 *
8 mm	44-49 mm	Swiss profile cylinder	72 mm	4 9 6 1 0 8 1 3 0 1 * - B 8 *
8 mm	44-49 mm	Emergency power contact	72 mm	4 9 6 1 0 8 1 4 0 1 * - B 8 *
8 mm	44-49 mm	European profile cylinder	92 mm	4 9 6 1 0 8 1 1 1 1 * - B 8 *
8 mm	44-49 mm	European PC with core extraction protector	92 mm	4 9 6 1 0 8 1 2 1 1 * - B 8 *
8 mm	44-49 mm	Swiss profile cylinder	92 mm	4 9 6 1 0 8 1 3 1 1 * - B 8 *
8 mm	44-49 mm	Emergency power contact	92 mm	4 9 6 1 0 8 1 4 1 1 * - B 8 *
10 mm	38-43 mm	European profile cylinder	72 mm	4 9 6 1 0 0 0 1 0 1 * - B 8 *
10 mm	38-43 mm	European PC with core extraction protector	72 mm	4 9 6 1 0 0 0 2 0 1 * - B 8 *
10 mm	38-43 mm	Swiss profile cylinder	72 mm	4 9 6 1 0 0 0 3 0 1 * - B 8 *
10 mm	38-43 mm	Emergency power contact	72 mm	4 9 6 1 0 0 0 4 0 1 * - B 8 *
10 mm	38-43 mm	European profile cylinder	92 mm	4 9 6 1 0 0 0 1 1 1 * - B 8 *
10 mm	38-43 mm	European PC with core extraction protector	92 mm	4 9 6 1 0 0 0 2 1 1 * - B 8 *
10 mm	38-43 mm	Swiss profile cylinder	92 mm	4 9 6 1 0 0 0 3 1 1 * - B 8 *
10 mm	38-43 mm	Emergency power contact	92 mm	4 9 6 1 0 0 0 4 1 1 * - B 8 *
10 mm	44-49 mm	European profile cylinder	72 mm	4 9 6 1 0 0 1 1 0 1 * - B 8 *
10 mm	44-49 mm	European PC with core extraction protector	72 mm	4 9 6 1 0 0 1 2 0 1 * - B 8 *
10 mm	44-49 mm	Swiss profile cylinder	72 mm	4 9 6 1 0 0 1 3 0 1 * - B 8 *
10 mm	44-49 mm	Emergency power contact	72 mm	4 9 6 1 0 0 1 4 0 1 * - B 8 *
10 mm	44-49 mm	European profile cylinder	92 mm	4 9 6 1 0 0 1 1 1 1 * - B 8 *
10 mm	44-49 mm	European PC with core extraction protector	92 mm	4 9 6 1 0 0 1 2 1 1 * - B 8 *
10 mm	44-49 mm	Swiss profile cylinder	92 mm	4 9 6 1 0 0 1 3 1 1 * - B 8 *
10 mm	44-49 mm	Emergency power contact	92 mm	4 9 6 1 0 0 1 4 1 1 * - B 8 *

ACCESS CODE

ANYKEY

Access code versions with fire protection (Type 49710)

External cover plate with thumbturn **0** **6** Version A
 External cover plate with handle **1** **7** Version B

Selection of most important combinations				
Handle – square pin	Door leaf thickness	Prepared for	Centre to Centre	Order No.
9 mm	38-43 mm	European profile cylinder	72 mm	4 9 7 1 0 9 0 1 0 1 * - B 8 *
9 mm	38-43 mm	European PC with core extraction protector	72 mm	4 9 7 1 0 9 0 2 0 1 * - B 8 *
9 mm	38-43 mm	Swiss profile cylinder	72 mm	4 9 7 1 0 9 0 3 0 1 * - B 8 *
9 mm	38-43 mm	Emergency power contact	72 mm	4 9 7 1 0 9 0 4 0 1 * - B 8 *
9 mm	38-43 mm	European profile cylinder	92 mm	4 9 7 1 0 9 0 1 1 1 * - B 8 *
9 mm	38-43 mm	European PC with core extraction protector	92 mm	4 9 7 1 0 9 0 2 1 1 * - B 8 *
9 mm	38-43 mm	Swiss profile cylinder	92 mm	4 9 7 1 0 9 0 3 1 1 * - B 8 *
9 mm	38-43 mm	Emergency power contact	92 mm	4 9 7 1 0 9 0 4 1 1 * - B 8 *
9 mm	44-49 mm	European profile cylinder	72 mm	4 9 7 1 0 9 1 1 0 1 * - B 8 *
9 mm	44-49 mm	European PC with core extraction protector	72 mm	4 9 7 1 0 9 1 2 0 1 * - B 8 *
9 mm	44-49 mm	Swiss profile cylinder	72 mm	4 9 7 1 0 9 1 3 0 1 * - B 8 *
9 mm	44-49 mm	Emergency power contact	72 mm	4 9 7 1 0 9 1 4 0 1 * - B 8 *
9 mm	44-49 mm	European profile cylinder	92 mm	4 9 7 1 0 9 1 1 1 1 * - B 8 *
9 mm	44-49 mm	European PC with core extraction protector	92 mm	4 9 7 1 0 9 1 2 1 1 * - B 8 *
9 mm	44-49 mm	Swiss profile cylinder	92 mm	4 9 7 1 0 9 1 3 1 1 * - B 8 *
9 mm	44-49 mm	Emergency power contact	92 mm	4 9 7 1 0 9 1 4 1 1 * - B 8 *



Further versions:

Further versions can be compiled from the overall list at the end of the catalogue. The above order numbers can also be directly entered in the order form and faxed.

Version

A **B**



PROXIMITY READER

ANYKEY



Comfortable security.

Access control with contactless data carriers has a variety of uses, for example the transponder chip that enables contactless detection of access rights from a distance of just a few centimetres can be integrated in different data carriers. This highly comfortable form of access control is ideal where relatively large numbers of people require easy access and buildings are highly frequented despite high security requirements.

User card

Coded, contactless



Type 481-10-4, Order no.

481-10-4-----00

Key fob

Coded, contactless



Type 481-10-5, Order No.

481-10-5-----00

Cost-conscious and absolutely secure.

The superiority of ANYKEY over conventional fittings is due to the fact that there are no non-registered copies. If a data carrier (card, clip, etc.) gets lost, it is simply deleted from the program preventing misuse. There are no security risks with ANYKEY.



ANYKEY contactless reader version

- ▶ Easy access control
- ▶ Data carriers: Card, key fob
- ▶ Reading distance ≤ 5 cm
- ▶ Can be programmed directly at the fitting
- ▶ Stand-alone device
- ▶ Battery-operated (4 x Type AA)
- ▶ No additional cables
- ▶ Protection class IP 54: External cover plate suitable for external doors, Protection Class IP 30: Internal cover plate
- ▶ Management via programming card
- ▶ Up to 30 data carriers
- ▶ Temporary or permanent release
- ▶ Dead bolt monitoring with LED
- ▶ EM 4102 coding
- ▶ Operating temperature range external cover plate -10 to $+60$ °C
internal cover plate 0 to $+60$ °C

Order numbers

- ▶ 49611... **without** fire protection certification
- ▶ 49711... **with** with fire protection certification

A list of the most important parameters can be found on the following two pages. A list of all parameters can be found on Page 22.

PROXIMITY READER

ANYKEY

Proximity reader version without fire protection (Type 49611)

External cover plate with thumbturn **0** **6** Version A
 External cover plate with handle **1** **7** Version B

Selection of most important combinations				
Handle – square pin	Door leaf thickness	Prepared for	Centre to Centre	Best. Nr.
8 mm	38-43 mm	European profile cylinder	72 mm	4961180101 * -B8 *
8 mm	38-43 mm	European PC with core extraction protector	72 mm	4961180201 * -B8 *
8 mm	38-43 mm	Swiss profile cylinder	72 mm	4961180301 * -B8 *
8 mm	38-43 mm	Emergency power contact	72 mm	4961180401 * -B8 *
8 mm	38-43 mm	European profile cylinder	92 mm	4961180111 * -B8 *
8 mm	38-43 mm	European PC with core extraction protector	92 mm	4961180211 * -B8 *
8 mm	38-43 mm	Swiss profile cylinder	92 mm	4961180311 * -B8 *
8 mm	38-43 mm	Emergency power contact	92 mm	4961180411 * -B8 *
8 mm	44-49 mm	European profile cylinder	72 mm	4961181101 * -B8 *
8 mm	44-49 mm	European PC with core extraction protector	72 mm	4961181201 * -B8 *
8 mm	44-49 mm	Swiss profile cylinder	72 mm	4961181301 * -B8 *
8 mm	44-49 mm	Emergency power contact	72 mm	4961181401 * -B8 *
8 mm	44-49 mm	European profile cylinder	92 mm	4961181111 * -B8 *
8 mm	44-49 mm	European PC with core extraction protector	92 mm	4961181211 * -B8 *
8 mm	44-49 mm	Swiss profile cylinder	92 mm	4961181311 * -B8 *
8 mm	44-49 mm	Emergency power contact	92 mm	4961181411 * -B8 *
10 mm	38-43 mm	European profile cylinder	72 mm	4961100101 * -B8 *
10 mm	38-43 mm	European PC with core extraction protector	72 mm	4961100201 * -B8 *
10 mm	38-43 mm	Swiss profile cylinder	72 mm	4961100301 * -B8 *
10 mm	38-43 mm	Emergency power contact	72 mm	4961100401 * -B8 *
10 mm	38-43 mm	European profile cylinder	92 mm	4961100111 * -B8 *
10 mm	38-43 mm	European PC with core extraction protector	92 mm	4961100211 * -B8 *
10 mm	38-43 mm	Swiss profile cylinder	92 mm	4961100311 * -B8 *
10 mm	38-43 mm	Emergency power contact	92 mm	4961100411 * -B8 *
10 mm	44-49 mm	European profile cylinder	72 mm	4961101101 * -B8 *
10 mm	44-49 mm	European PC with core extraction protector	72 mm	4961101201 * -B8 *
10 mm	44-49 mm	Swiss profile cylinder	72 mm	4961101301 * -B8 *
10 mm	44-49 mm	Emergency power contact	72 mm	4961101401 * -B8 *
10 mm	44-49 mm	European profile cylinder	92 mm	4961101111 * -B8 *
10 mm	44-49 mm	European PC with core extraction protector	92 mm	4961101211 * -B8 *
10 mm	44-49 mm	Swiss profile cylinder	92 mm	4961101311 * -B8 *
10 mm	44-49 mm	Emergency power contact	92 mm	4961101411 * -B8 *

PROXIMITY READER

ANYKEY

Proximity reader version with fire protection (Type 49711)

External cover plate with thumbturn **0** Version A
 External cover plate with handle **1** Version B

Selection of most important combinations				
Handle – square pin	Door leaf thickness	Prepared for	Centre to Centre	Order No.
9 mm	38-43 mm	European profile cylinder	72 mm	4971190101 * -B8 *
9 mm	38-43 mm	European PC with core extraction protector	72 mm	4971190201 * -B8 *
9 mm	38-43 mm	Swiss profile cylinder	72 mm	4971190301 * -B8 *
9 mm	38-43 mm	Emergency power contact	72 mm	4971190401 * -B8 *
9 mm	38-43 mm	European profile cylinder	92 mm	4971190111 * -B8 *
9 mm	38-43 mm	European PC with core extraction protector	92 mm	4971190211 * -B8 *
9 mm	38-43 mm	Swiss profile cylinder	92 mm	4971190311 * -B8 *
9 mm	38-43 mm	Emergency power contact	92 mm	4971190411 * -B8 *
9 mm	44-49 mm	European profile cylinder	72 mm	4971191101 * -B8 *
9 mm	44-49 mm	European PC with core extraction protector	72 mm	4971191201 * -B8 *
9 mm	44-49 mm	Swiss profile cylinder	72 mm	4971191301 * -B8 *
9 mm	44-49 mm	Emergency power contact	72 mm	4971191401 * -B8 *
9 mm	44-49 mm	European profile cylinder	92 mm	4971191111 * -B8 *
9 mm	44-49 mm	European PC with core extraction protector	92 mm	4971191211 * -B8 *
9 mm	44-49 mm	Swiss profile cylinder	92 mm	4971191311 * -B8 *
9 mm	44-49 mm	Emergency power contact	92 mm	4971191411 * -B8 *



Further versions:

Further versions can be compiled from the overall list at the end of the catalogue. The above order numbers can also be directly entered in the order form and faxed.

Version

A **B**





The personalized form of security.

No two humans in the world have identical papillary lines on their finger tips — not even identical twins. The papillary lines are formed during embryonic development. The biometric version of ANYKEY exploits this fact. For security reasons, several fingers of each authorized person can be scanned. This is particularly helpful if it is impossible to identify a finger due to injury. Identification takes place by moving the finger across the reading surface on the outside of the fitting.

Quick and handy.

The biometric version is an excellent solution for doors. Users don't have to remember codes or carry data cards with them. Their data carrier, namely their fingers accompany them all the time. Access control with this ANYKEY version is not only practical but also quick and simple.

**ANYKEY biometric version
is undergoing preparation**

DECORATIVE COVER

ANYKEY

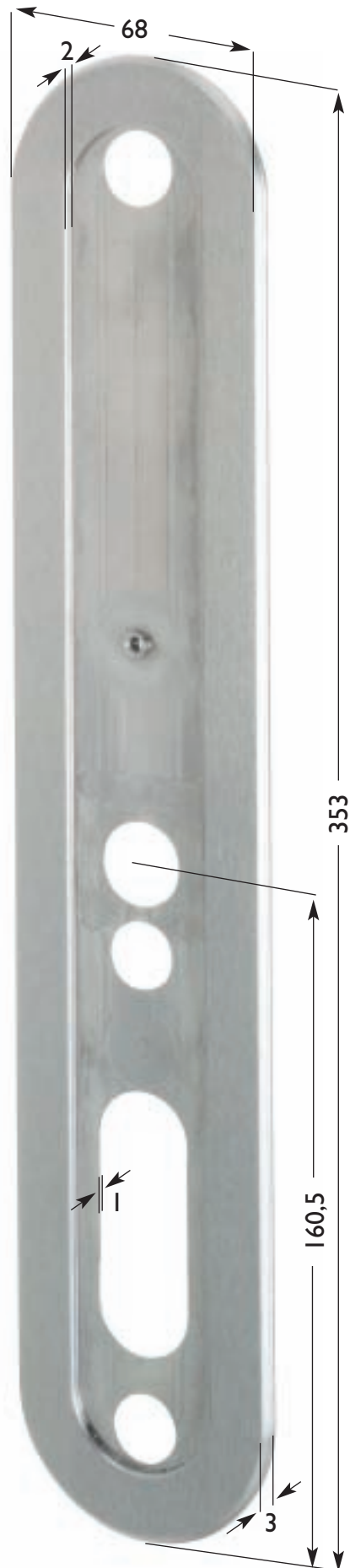
Ready for all.

Due to the solid decorative cover, ANYKEY is a fitting for all eventualities — renovation or conversion. The decorative cover set comprising 2 plates for internal and external use (2 x 1 mm in addition to the door leaf thickness), can hide unsightly, old holes of previously mounted fittings. For wooden and steel doors, the decorative covers have a wider appearance and provide an additional intrusion protection.



Decorative cover set, Order no.

496-1080050--35



Excellent qualities

- ▶ Protection against overturning and vandalism
- ▶ Data coding, access control integrated in the fitting, inaccessible from the outside
- ▶ Locking state display
- ▶ Optional additional equipment – locking cylinder or emergency power contact
- ▶ Ideal in combination with self-locking security locks
- ▶ Power supply: 4 batteries Type AA
- ▶ Integrated battery status display
- ▶ Sleep/wake-up mode

Security fitting with many extras and options.

The external fitting is available with either a cranked handle or with a thumbturn of easy-to-care stainless steel and is protected by a clutch with a protection against overturning in case of vandalism. In the event of missing access rights or applied force, the handles “free wheel”. This means the handle or thumbturn can be either turned or pressed down when force is applied without the door actually opening. Decorative covers can also be ordered that not only conceal traces of previously mounted fittings but also offer an additional protection against drilling.

Outstanding technical know-how.

The functions of ANYKEY have all been given thorough consideration, for example, the fitting automatically saves energy. The contactless reader and biometric versions are equipped with a sensor that functions when a person approaches. The access code version is activated by a button. This saves the life of the 4 Mignon power supply batteries that supply ANYKEY with current. A light in the inside and outside area indicates when the batteries require replacing.

Please note:

A minimum distance of 25 mm must be maintained between the closing edge and the fitting to ensure secure and comfortable operation. (See adjacent illustrations)

Emphasis is placed on security.

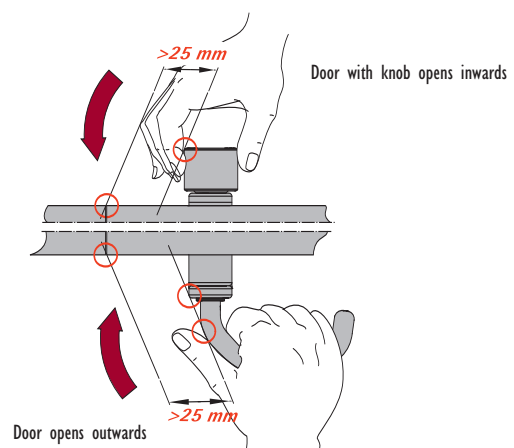
All security-relevant components, e.g. clutch mechanism and control are integrated in the fitting and are inaccessible from outside. Transmission of information from the outside to the inside is coded. Combinations with security locks that lock automatically (e.g. effeff security lock 309x or 409x) provide additional security. The locking status indicated by LED ensures that you know exactly whether the door is locked securely or not.

Ideal for self-locking security locks.

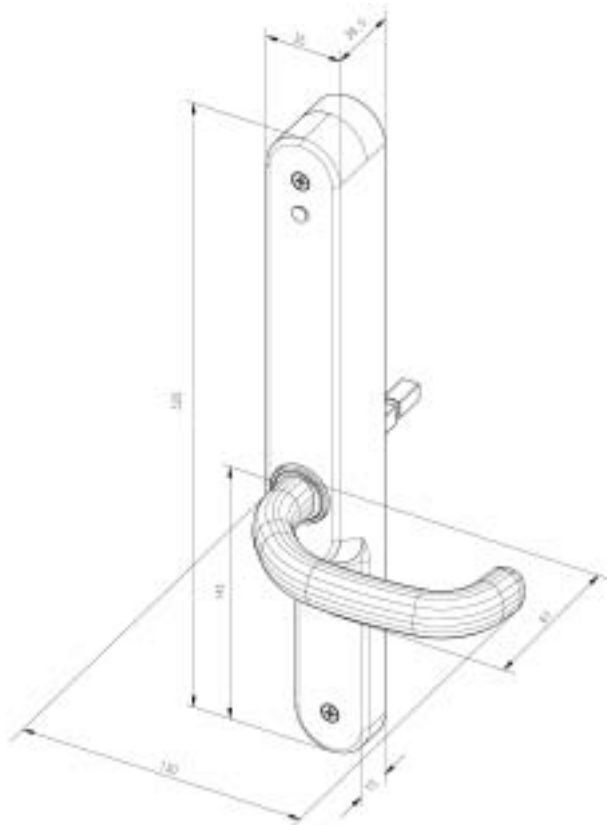
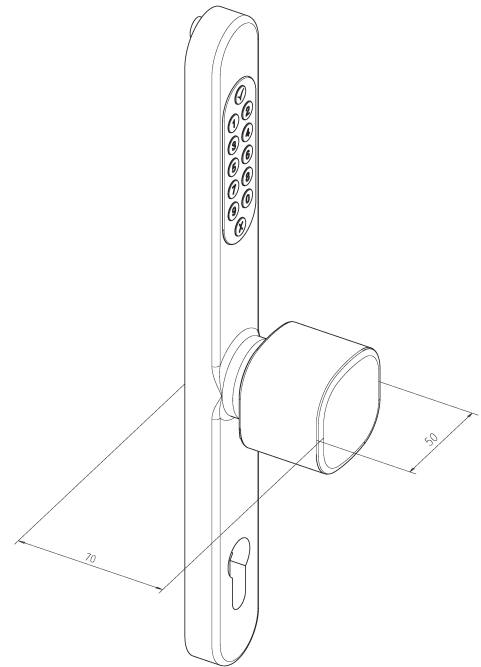
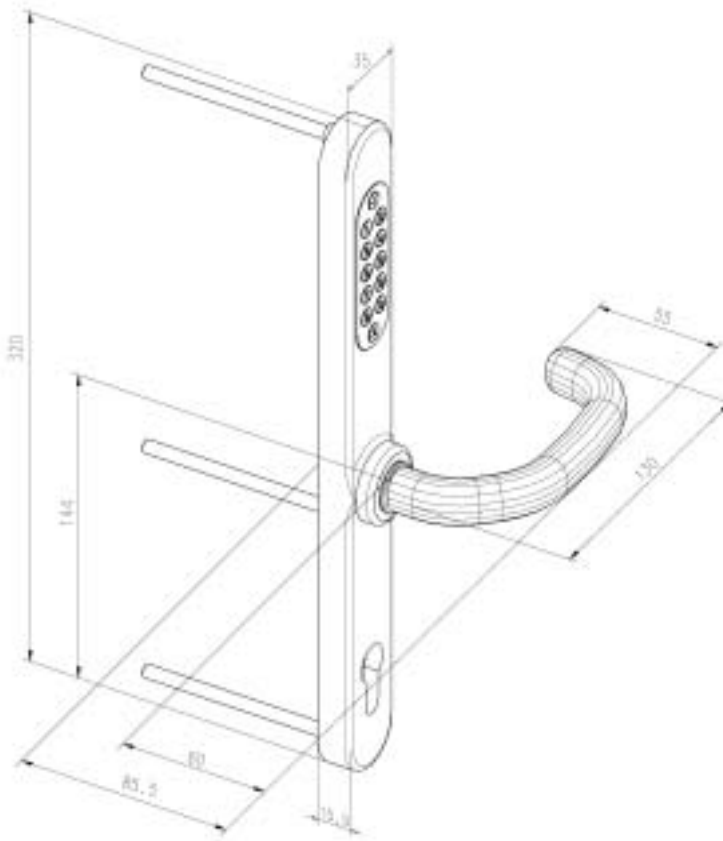
ANYKEY is highly suitable for combining with self-locking security locks, e.g. effeff locks type 309x or 409x. These locks automatically lock a door as soon as it is closed. This means that ANYKEY also eliminates possible disputes with the insurance companies requiring appropriate evidence in the event of intrusion despite the high degree of security. In order to achieve compliance with resistance class WK 2 as per DIN V ENV 1627 for the entire door element in metal doors, we recommend the effeff multi-point locking system 319.

Adaptable

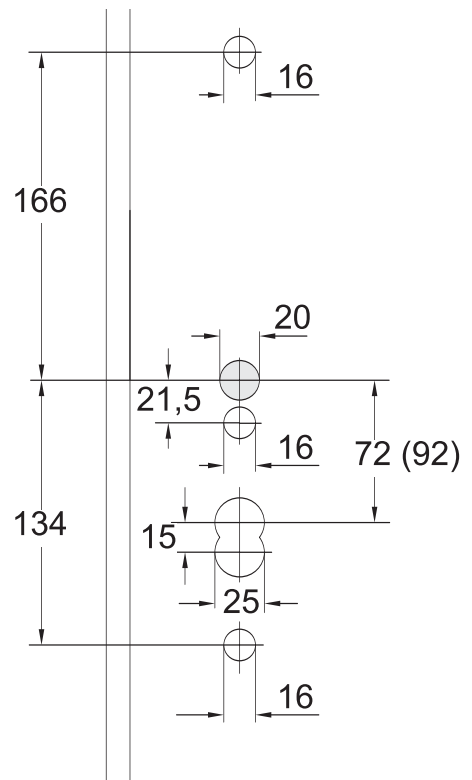
Use in existing locking systems and access via a master or fire brigade key is possible with ANYKEY. The fitting is available as an option with European profile cylinder (including core extraction protector) or with a Swiss profile cylinder. A further option is the emergency power contact. With this version, the fitting can be activated in the event of power failure by means of a conventional 9V battery block.



DIMENSIONS AND MOUNTING



Drilling template



ORDER FORM

ORDER FAX +49 7431 123-258

Company _____ Branch _____ E-mail _____

Contact _____ Telephone _____ Fax _____

Street/POB _____ Customer No. _____

Postal code/Town _____ Order date _____

Access control versions

- Door code
- Proximity reader

Handle – square pin

with fire protection approval:

w/o fire protection approval:

- 9 mm
- 8 mm
- 10 mm

Door leaf thickness

(Calculate extra 2 mm
when using decorative cover set)

- 38-43 mm
- 44-49 mm
- 50-55 mm
- 56-61 mm
- 62-67 mm
- 68-73 mm
- 74-79 mm
- 80-85 mm

Type of profile cylinder

- European profile cylinder
- Core extraction protector for European profile cylinder (extra over)
- Swiss profile cylinder
- Emergency power module

CC

(Further CC on request)

- 72 mm
- 92 mm
- 74 mm
- 94 mm
- 70 mm

External cover plate

- External cover plate with thumbturn
- External cover plate with handle

Direction of fitting

- Direction of fitting version A
- Direction of fitting version B

Number of fittings

— pce.

Decorative cover set

(extra over)

— pce. (always set of 2)

ORDER FORM

ORDER FAX +49 7431 123-258

Company Branch E-mail

Contact Telephone Fax

Street/POB Customer No.

Postal code/Town Order date

Order No.	Pce.
.....
.....
.....
.....
.....
.....
.....
.....
.....
.....
.....
.....
.....
.....
.....
.....
.....
.....
.....
.....
.....
.....

Save even more time and order per e-mail

As a well-tried partner for strike systems (electric/mechanical), effeff is renowned for reliable and quick delivery. We offer you two possibilities: You can complete the form and send it to us by fax or send an e-mail to the following address: **sales@assaabloy.com**.
Quotation and delivery according to our general terms and conditions.



Contrôle d'accès

Impianti di controllo accessi

Zutrittskontrollanlagen

Access control systems

Sistemas de control de accesos

ASSA ABLOY Sicherheitstechnik GmbH
Bildstockstraße 20
72458 Albstadt
GERMANY
Tel. +49 7431 123-0
Fax +49 7431 123-240
albstadt@assaabloy.de
www.assaabloy.de



effeff, established in 1936 as a precision engineering and electrical engineering workshop, has developed through a consistent product policy to become the global market leader in electromechanical locking device technology. Electrical door releases, electrical bolts, security locks, access control systems, electro holding magnets, rescue route technology, Swing door operator, automatic arrester systems and control elements are among the products that effeff, based in Albstadt on the Swabian Alb, Germany, exports today to 75 countries around the globe.

IKON, established in 1926 as ZEISS IKON AG, is one of the leading brands for locking cylinders, locks and locking systems in Germany. Our products and solutions are manufactured to state-of-the-art technological standards and also include (for some time now) mechatronic locking cylinders, escape door technology, door fittings and door closing mechanisms, along with numerous auxiliary locks and securing devices. They protect both people and valuables.

ASSA ABLOY Sicherheitstechnik GmbH. The IKON and effeff brands have been developed, produced and marketed in a joint company since 2005, with both ranges perfectly complementing each other. This enables us to offer our customers comprehensive and complex system solutions for private, commercial and public service applications.

ASSA ABLOY is the world's leading manufacturer and supplier of locking system solutions and security systems, meeting the high demands of customers for security, protection and user-friendliness. With around 30.000 employees, the group generates an annual turnover of approximately 3 thousand million Euro.

An ASSA ABLOY Group brand

ASSA ABLOY

2.1991-086-060/00