

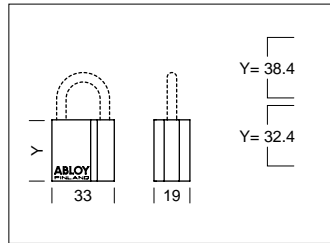
ABLOY® PROTEC High security padlocks



ABLOY® PROTEC is the culmination of 90 years of world-leading development of the rotating disc cylinder.

PL321N/20, PL321N/50 GRADE 2 PADLOCK

Multi-purpose padlock for various applications e.g. cash boxes, lockers and tool boxes.

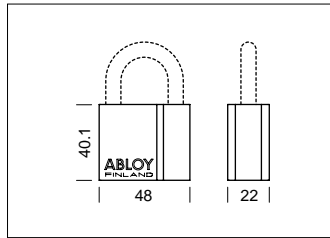


TECHNICAL DETAILS

- 33 mm chrome-plated brass body
- 5 mm diameter stainless steel shackle
- Shackle clearance height: 20 mm or 50 mm
- Toe and heel locking using stainless steel balls
- Number of discs: 11. Can be master keyed with other ABLOY® PROTEC locks
- Non rekeyable cylinder.
- First disc material: brass
- Key removable in locked position only

PL330N/25, PL330N/50 GRADE 3 PADLOCK

Multi-purpose padlock of durable construction. Applications include storage room doors, power station switches, gates, cycles etc.

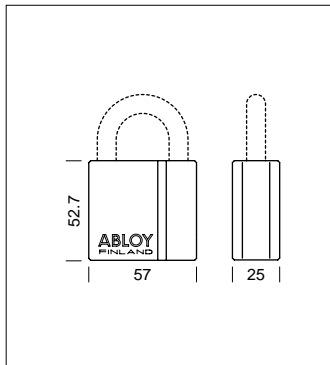


TECHNICAL DETAILS

- 48 mm chrome-plated brass body
- 8 mm diameter chrome-plated case-hardened boron steel shackle
- Shackle clearance height: 25 mm or 50 mm
- Toe and heel locking using stainless steel balls
- Number of discs: 11. Can be master keyed with other ABLOY® PROTEC locks
- Rekeyable or non-rekeyable cylinders.
- First disc material: case-hardened steel
- Key removable in locked position only

PL343N/25, PL343N/50 PADLOCK

Brass padlock with removable cylinder core. This product is a perfect choice for applications where rapid changing of the key combination may be necessary.



TECHNICAL DETAILS

- 57 mm chrome-plated case-hardened steel/brass body
- 10 mm diameter chrome-plated case-hardened boron steel shackle
- Shackle clearance height: 25 mm or 50 mm
- Toe and heel locking using stainless steel balls
- Number of discs: 11. Can be master keyed with other ABLOY® PROTEC locks
- Rekeyable or non-rekeyable cylinders
- First disc material: case-hardened steel
- Key removable in locked position only

PL340N/25, PL340N/50 GRADE 4 PADLOCK

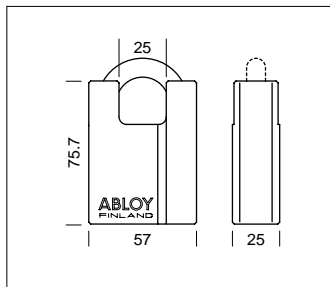
Extra strong padlocks for storage room doors, gates, protective bars, shutters in windows, trailers etc. The chrome-plated case-hardened steel body is highly resistant to cutting.

PL341N/25, PL341N/50 PADLOCK

Padlocks as above, but with brass body.

PL342N GRADE 4 PADLOCK

Close shackle padlock with case-hardened steel body and specially designed raised shoulders to provide extra protection. Applications include, for example, telecom and military installations.

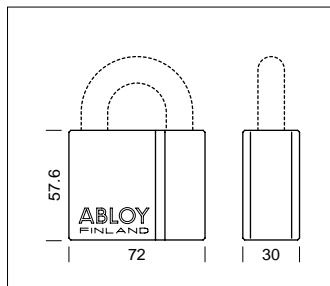


TECHNICAL DETAILS

- 57 mm chrome-plated case-hardened steel body with raised shoulders
- 10 mm diameter chrome-plated case-hardened boron steel shackle
- Shackle clearance height: 25 mm
- Toe and heel locking using stainless steel balls
- Number of discs: 11. Can be master keyed with other ABLOY® PROTEC locks
- Rekeyable or non-rekeyable cylinders.
- First disc material: case-hardened steel
- Key removable in locked position only

PL350N/25, PL350N/50 GRADE 5 PADLOCK

Case-hardened steel body padlock for maximum security applications including containers, train wagons, trucks, lorries, warehouses etc.

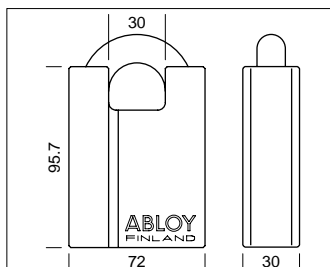


TECHNICAL DETAILS

- 72 mm chrome-plated case-hardened steel body
- 14 mm diameter chrome-plated case-hardened boron steel shackle
- Shackle clearance height: 25 mm or 50 mm
- Toe and heel locking using stainless steel balls
- Number of discs: 11. Can be master keyed with other ABLOY® PROTEC locks
- Rekeyable or non-rekeyable cylinders.
- First disc material: case-hardened steel
- Key removable in locked position only

PL362N GRADE 6 PADLOCK

For applications where maximum security is required. Case-hardened steel body with raised shoulders and a top-loaded cylinder provide the highest level of security and protection. Applications include containers, train wagons, trucks, lorries, heavy sliding doors, military applications etc. Rekeyable or non-rekeyable cylinders.



TECHNICAL DETAILS

- 72 mm chrome-plated case-hardened steel body
- 15 mm diameter chrome-plated case-hardened boron steel shackle
- Shackle clearance height: 25 mm
- Number of discs: 11. Can be master keyed with other ABLOY® PROTEC locks
- Rekeyable or non-rekeyable cylinders.
- First disc material: case-hardened steel
- Toe and heel locking using stainless steel balls
- Key removable in locked position only



Abloy Oy
Wahlforsinkatu 20
P.O. Box 108
FIN-80101 JOENSUU
FINLAND
Tel. +358 13 2501
Fax +358 13 250 2209



www.abloy.com