

ABLOY[®] EL420, EL520 – *Europrofile motor locks*

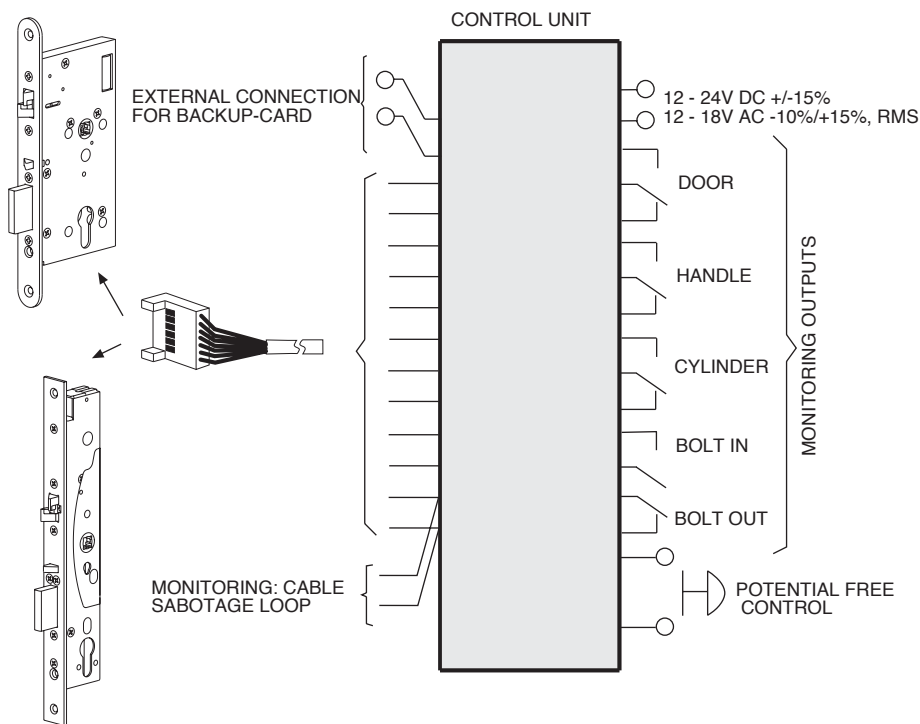


New Europrofile locks can be installed with long plates or roses.

TECHNICAL DETAILS

Operating voltage:	12 - 24 V DC ($\pm 15\%$) 12 - 18 V AC, RMS (-10%, +15%)
Current:	Max. 0.8 A (12 V), 0.4 A (24 V) Normal 0.45 A (12 V), 0.22 (24 V) Idle 1.3 A (12 V), 0.6 A (24 V)
Relays:	Max. 0.8 A 30 V AC/DC resist, 10 W
Operating temperature:	-20°C - +60°C
Bolt throw:	20 mm (deadbolt), 10 mm (double action bolt)
Backset:	55, 60, 65 mm (EL520) 30, 35, 40, 45 mm (EL420)
Forend:	20, 24 mm (EL520) 24, 28 mm (EL420)
Spindle:	9 mm (8 mm with snap spindle adapter)
Settable functions:	Mechanical functions: - Handing of trigger bolt
Monitoring outputs:	Bolt deadlocked Bolt inside the lock case Door closed Handle used Cylinder used Cable sabotage

CONTROL PRINCIPLE AND AVAILABLE MONITORING OUTPUTS



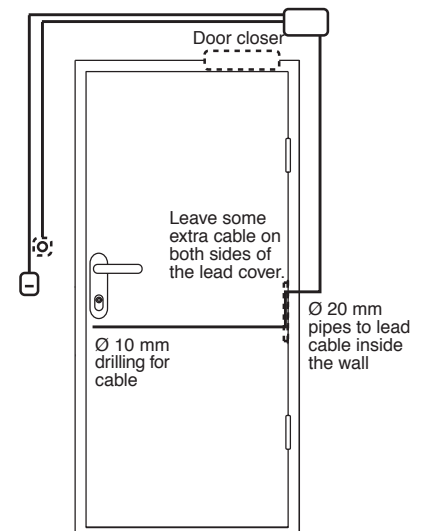
COMPATIBILITY CHART FOR CYLINDERS, FITTINGS AND ACCESSORIES

	EUROPROFILE DIN CYLINDERS		FITTINGS	ACCESSORIES (please order separately)		
	ABLOY PROTEC	ABLOY DISKLOCK PRO		CABLES	LEAD COVERS	STRIKE PLATE
Single	CY303N, CY313N CY307N, CY317N	CY303D	IKON Ruko BEZAULT ABLOY** others	EA218 (6m) EA219(10m)	EA280 EA281	EA321**) EA322 EA323**) EA324
Double	CY304N, CY314N CY308N, CY318N	CY304D				
Single with thumbturn	CY305N, CY315N CY309N, CY319N	CY305D				

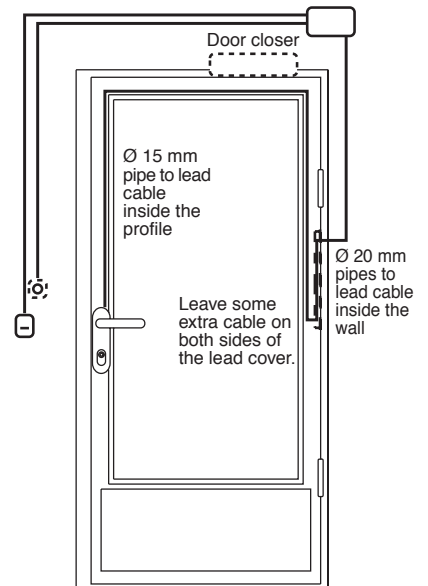
*) For further information, please contact Abloy Oy Tampere factory.
**) Handing must be defined.

DOOR ENVIRONMENT

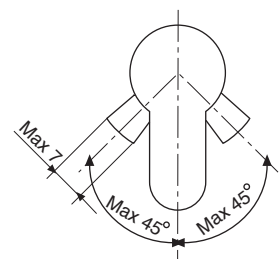
Wooden and metal doors



Narrow profile doors



CAM ANGLE



EMERGENCY EXIT DEVICES ACCORDING TO EN 179

The following locks and handles are approved to be installed together in an emergency exit door to conform EN 179.

Profile door locks	IKON DO 20.15.02	FSB DO 20.03.01, DO 20.03.02	HEWI DO 20.13.01, DO 20.13.02
EL420 EL422	e.g. S6B8	1016, 1023, 1056, 1070, 1080, 1088, 1090, 1117, 1118, 1119, 1137, 1146, 1155, 1160, 1161, 1162, 1177, 1178, 1191, 0612, 0616, 0617, 0619, 0625, 0627, 0628, 0646, 0662, 0665, 0680, 0681, 0682, 0688	111, 111.23, 114.23GK, 131, 132, 111X, 113X, 114X, 161X, 163X, 171X, 112X, 165X, 166X
Wooden and metal door locks	IKON DO 20.15.01		
EL520 EL522	e.g. S4K6		

The safety features of this product are essential to its compliance with EN 179. No modification of any kind, other than those described in the installation manual, are permitted.

PANIC EXIT DEVICES INSTALLATION ACCORDING TO EN 1125

The following locks and push bars are approved to be installed together in a panic exit door to conform EN 1125. The push bars can be installed for example with above mentioned outside fittings (Table EN 179) to conform EN 1125.

Profile door locks	effeff DO 30.04	JPM DO 30.05	TESA DO 30.06
EL420 EL422	8000-00-1100 (-), 8000-10-1100 (PZ) 8000-00-1100 (-), 8000-11-1100 (RZ)	NORMA 870000-30-0A NORMA 870000-31-0A NORMA 870000-32-0A NORMA 870000-33-0A	UNIVERSAL SERIE 19709G9xx
Wooden and metal door locks	effeff DO 30.04		
EL520 EL522	8000-00-1100 (-), 8000-20-1100 (PZ) 8000-00-1100 (-), 8000-21-1100 (RZ)		

The safety features of this product are essential to its compliance with EN 1125. No modification of any kind, other than those described in the installation manual, are permitted.

EN179 and EN1125 standards are conformed, when the above mentioned lock is installed with ABLOY EA321, EA322, EA323 or EA324 strike plate.

This document may not be used in the installation of a lock. Drilling and wiring diagrams and installation instructions are included in the installation manual, which is included in each lock case package.

We reserve the right to make alterations to the products described in this leaflet.



www.abloy.com

Abloy Oy
Wahlforssinkatu 20
P.O. Box 108
FIN-808101 JOENSUU
FINLAND
Tel. +358 20 599 2501
Fax +358 20 559 2209

