

ABLOY® HIGH SECURITY RIM LOCKS



ABLOY® RIM AUTOMATIC DEADLOCKS

MATERIAL

Lock case, bolt, striker plate and keep of steel. Cylinders 5190 and CY053 of brass, 5176 and CY054 of case hardened steel.

FINISH

Lock case and keep black. Cylinder, pull and thumbturn chrome plated (K), brass plated (M) or satin chrome plated (H).

PACKAGE

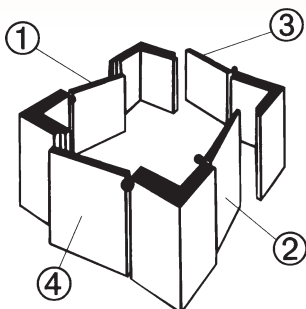
Complete lock packed in carton box or in see-through package.

FUNCTION

Bolt deadlocks automatically when door is closed. Bolt throw 20 mm. Bolt can be latched by depressing it into the lock case. Bolt is released by depressing it further and turning thumbturn simultaneously.

WHEN ORDERING PLEASE SPECIFY

- lock type
- quantity
- colour and finish
- striker plate if other than 4523
- opening direction (please see the drawing below)
- door type (flush or rebated)



ABLOY® RI001 AUTOMATIC RIM LATCH



ABLOY® RI001 is used mainly as an auxiliary lock e.g. on house and apartment doors, storeroom doors etc.

Outside cylinders

- ABLOY® CLASSIC 5190C, 5176C
- ABLOY® DISKLOCK PRO CY053D, CY054D
- ABLOY® PROTEC CY053N, CY054N

ABLOY® RI002 AUTOMATIC RIM LATCH WITH LOCKABLE THUMBTURN



ABLOY® RI002 is used in doors where extra security is needed. Especially suitable for doors where thumbturn is vulnerable to attack e.g. glass panelled doors. The red dot in the inside keyhole shows when the thumbturn is locked.

Outside cylinders

- ABLOY® CLASSIC 5190C, 5176C
- ABLOY® DISKLOCK PRO CY053D, CY054D
- ABLOY® PROTEC CY053N, CY054N

Thumbturn locking only with key systems

- ABLOY® CLASSIC (lock case RI202)
- ABLOY® DISKLOCK PRO (lock case RI204)

CYLINDERS



Available with key systems

- ABLOY® CLASSIC (5190C)
- ABLOY® DISKLOCK PRO (CY053D)
- ABLOY® PROTEC (CY053N)



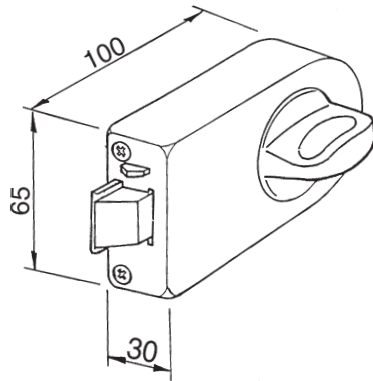
Available with key systems

- ABLOY® CLASSIC (5176C)
- ABLOY® DISKLOCK PRO (CY053D)
- ABLOY® PROTEC (CY054N)

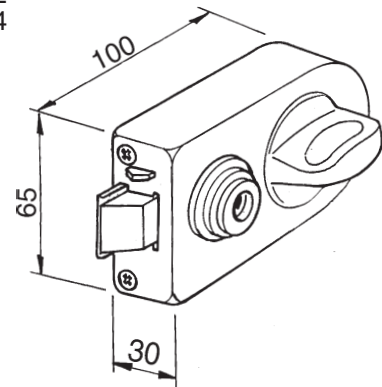
DIMENSIONS

LOCK CASES

RI201

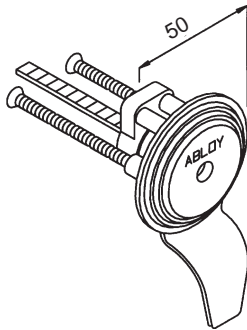


RI202
RI204

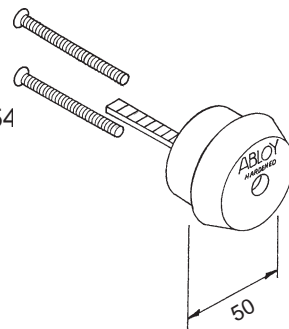


CYLINDERS

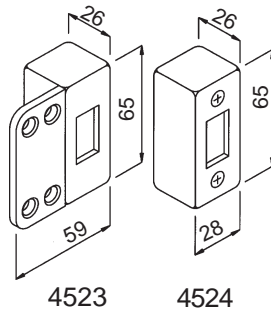
5190
CY053



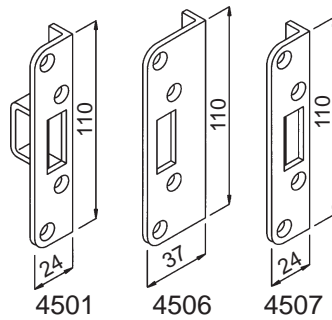
5176
CY054



KEEPS



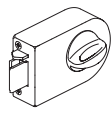


STRIKER PLATES



Keeps for inward opening doors.

Striker plates for outward opening doors.

CROSS-REFERENCE CHART

	RI001C	RI001D	RI001N	RI002C	RI004D
LOCK CASE 	RI201	RI201	RI201	RI202	RI204
CYLINDER 	5190C 5176C	CY053D CY054D	CY053N CY054N	5190C 5176C	CY053D CY054D
KEYS 	3 PCS	3 PCS	3 PCS	3 PCS	3 PCS

ABLOY® — the sign for security



The quality and environmental systems used by Abloy Oy guarantee that customers can be certain of ABLOY® quality in every field. We received our first Quality System Certificate - SFS-EN ISO 9001 - in 1989. Just eight years later, Abloy Oy was one of the first companies in Finland to be granted an SFS-EN-ISO 14001 Environmental System Certificate.

Our products are designed and manufactured not only to provide high levels of security, but also to be reliable, user-friendly and aesthetically pleasing.



ABLOY® is a registered trademark of Abloy Oy, one of the leading manufacturers of locks, locking systems and architectural hardware and the world's leading developer of products in the field of electromechanical lock technology.

The unique ABLOY® detainer disc cylinder mechanism has several advantages over conventional locking mechanisms. Ever since its invention in 1907, it has been a symbol of high security and superior performance.

Our range consists of electromechanical locks, cam locks, padlocks, office furniture locks, rim locks, lock cases, cylinders for different types of mortice locks, door closers, door automatics and architectural hardware. ABLOY® locking solutions for every application are available from our world-wide network of distributors.

Customer-oriented development, combined with our long experience and extensive security expertise, mean that ABLOY® security solutions employ the very latest technology to meet your needs.



www.abloy.com

Abloy Oy
Wahlforssinkatu 20
P.O. Box 108
FIN-80101 JOENSUU
FINLAND
Tel. +358 13 2501
Fax +358 13 250 2209

